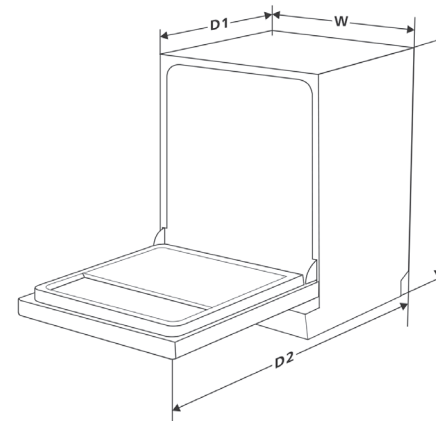


AQUA CHROME 13



Height (H)	845 mm
Width (W)	598 mm
Depth (D1)	600 mm (with door closed)
Depth (D2)	1,175 mm (with door open at 90°)

AQUA CHROME13 PS Free Standing Dishwasher

Capacity (place settings)	13
Energy Efficiency (EU)	A++
Energy Consumption (KWH)	262 kWh (annual*)
Approx Water Consumption (L)	11L/ cycle (3080L /annual*)
Drying Efficiency	A
Noise Level	49 dB(A) re 1 pW
Features	13 Sets, 2 Layers of Basket, Plastic Base, Button Control with Digital Display
6 Programs	ECO, Glass, 60 min, Intensive, Universal, Whisper
Type of control	Button Control
Push button functions	On/Off, Program, Delay-, Delay +, Child lock, Half Load Function, Start/Pause
Functions of Display	Remaining Programme Time and Delay Time, Error Code, Water Faucet, Rinse Aid, Salt
Water Pressure	0.04 - 1.0 Mpa
Filter type	Standard
Filter material	PP + 30%T + AISI304
Tub material	AISI430 + PP
Spray arms	Upper & Lower
Water softener	Yes
Drying system	Residual Heating Dry
Certifications	CE/GS/EMC/CB
Rated Power (W)	1760~2100
Voltage / (V)	220-240V AC
Frequency (Hz)	50
Product Dimension (W X D X H) mm	598 X 600 X 845 mm
Warranty	2 Years on Product
Article No.	539.20.671